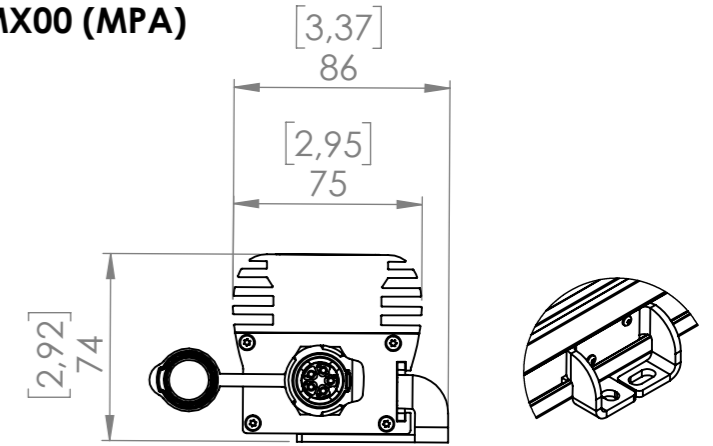
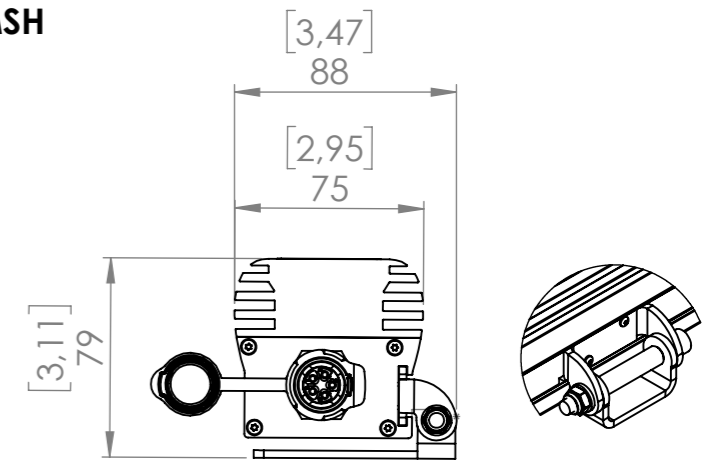


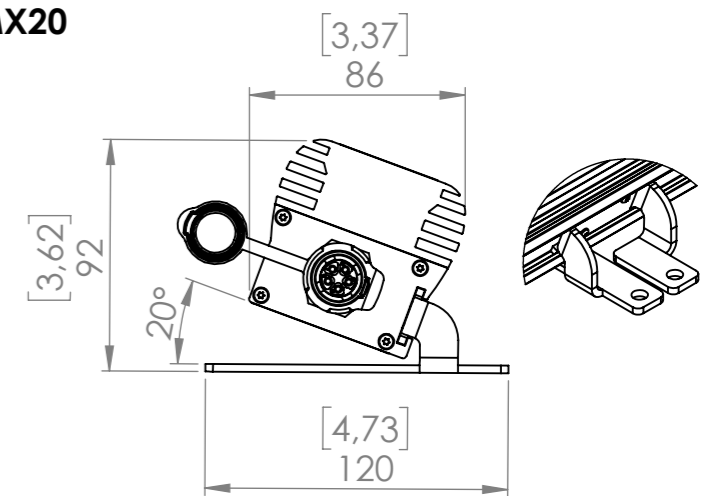
Option MX00 (MPA)



Option MSH



Option MX20



[24,76]
629

[36,77]
934

[48,78]
1239

[2,81]
71



Lindberghstrasse 15
86343 Königsbrunn

Tel.: +49 8231 95787 0
info@biontechnologies.com
www.biontechnologies.com

Description	linea m Y03
Date/Revision	11.10.2024/03
Scale	front view 1:5 side view 1:3

Dimensions are in **millimeters [inch]**
All product specifications are subject to change without prior notice.

NOTE: All copyrights, trademarks, patents and other rights in connection herewith are expressly reserved to BION TECHNOLOGIES GMBH and no license is created or granted hereby.