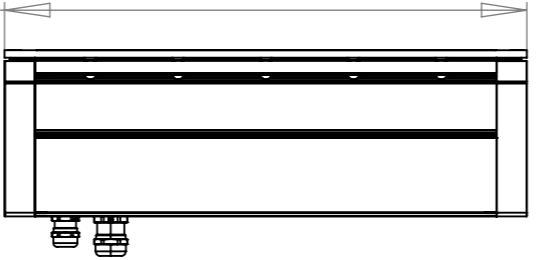
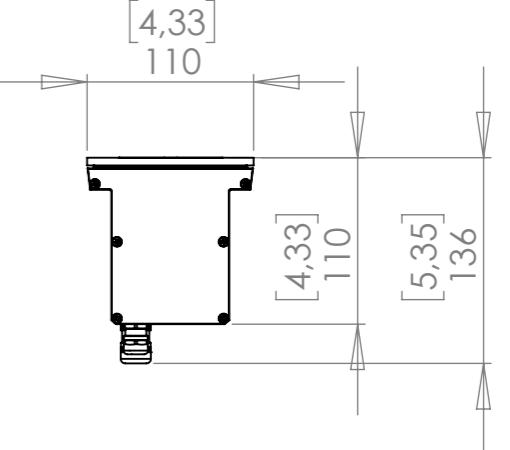
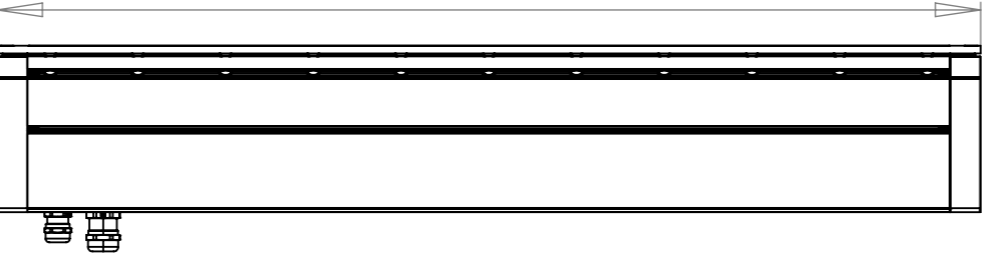


8 7 6 5 4 3 2 1

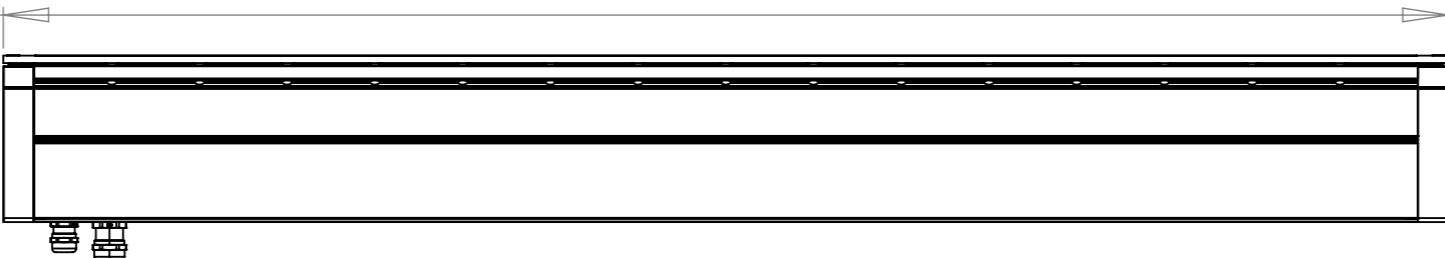
[13,60]
345



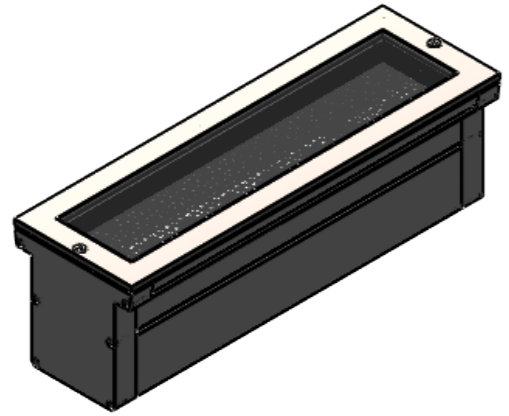
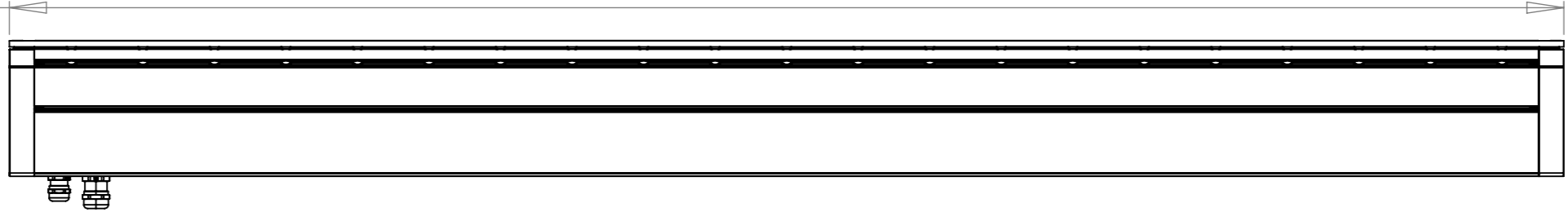
[25,61]
650



[37,61]
955



[49,62]
1260



Lindberghstrasse 15
86343 Königsbrunn

Tel.: +49 8231 95787 0
info@biontechnologies.com
www.biontechnologies.com

Description	tellus m eco hpq
Date/Revision	23.10.2024/03
Scale	1:5

Dimensions are in **millimeters [inch]**
All product specifications are subject to change without prior notice.

NOTE: All copyrights, trademarks, patents and other rights in connection herewith are expressly reserved to BION TECHNOLOGIES GMBH and no license is created or granted hereby.

8 7 6 5 4 3 2 1

F
E
D
C
B
A

F
E
D
C
B
A